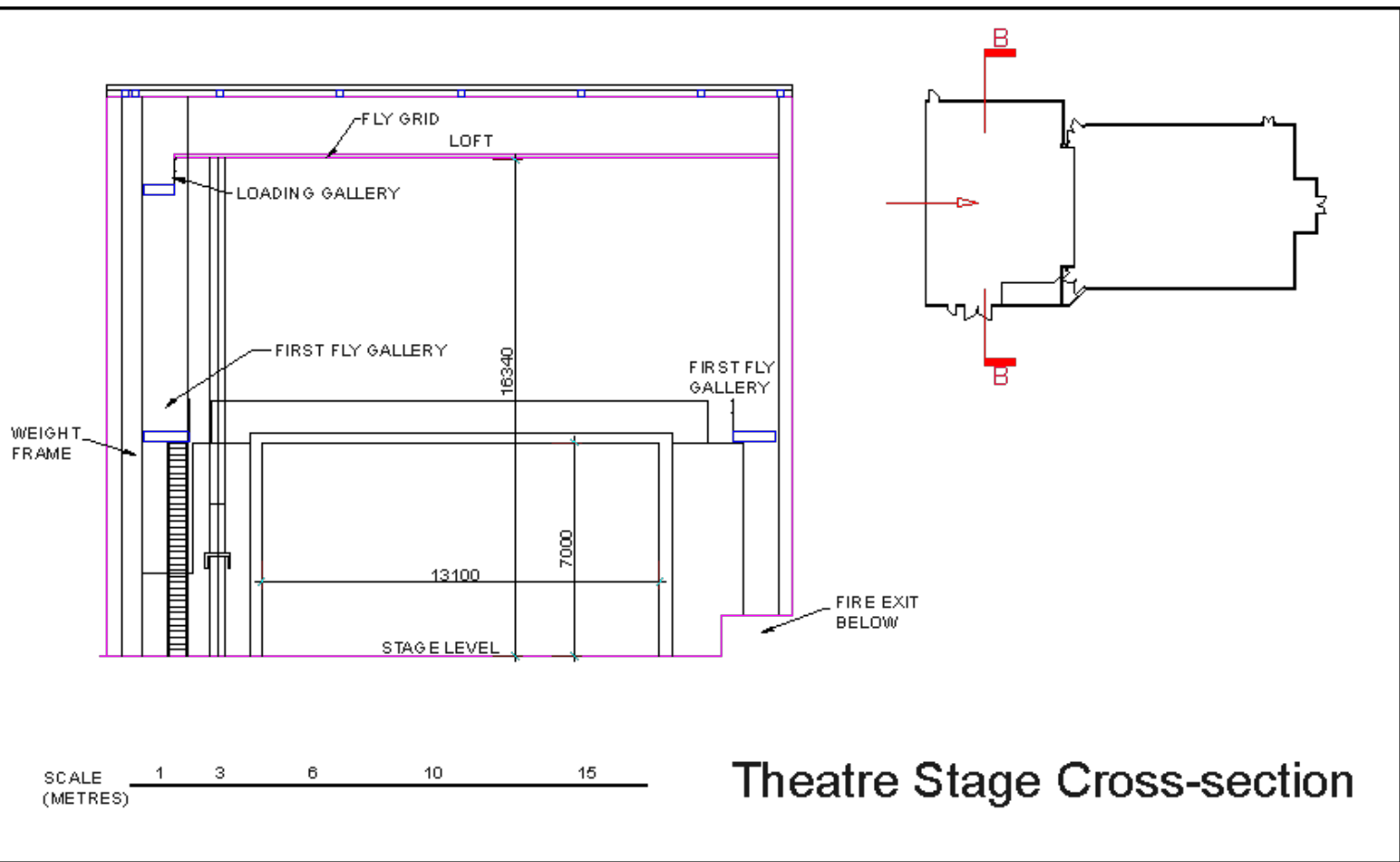
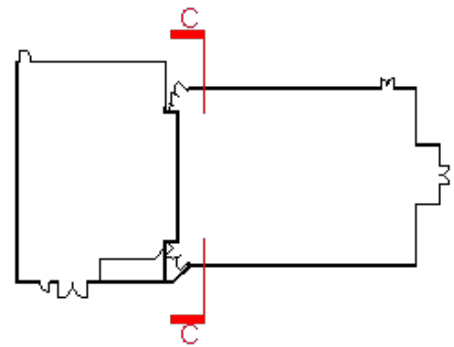
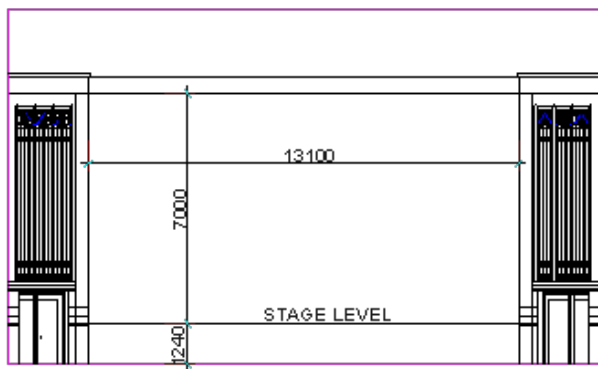


SCALE 1 3 6 10 15  
 (METRES)

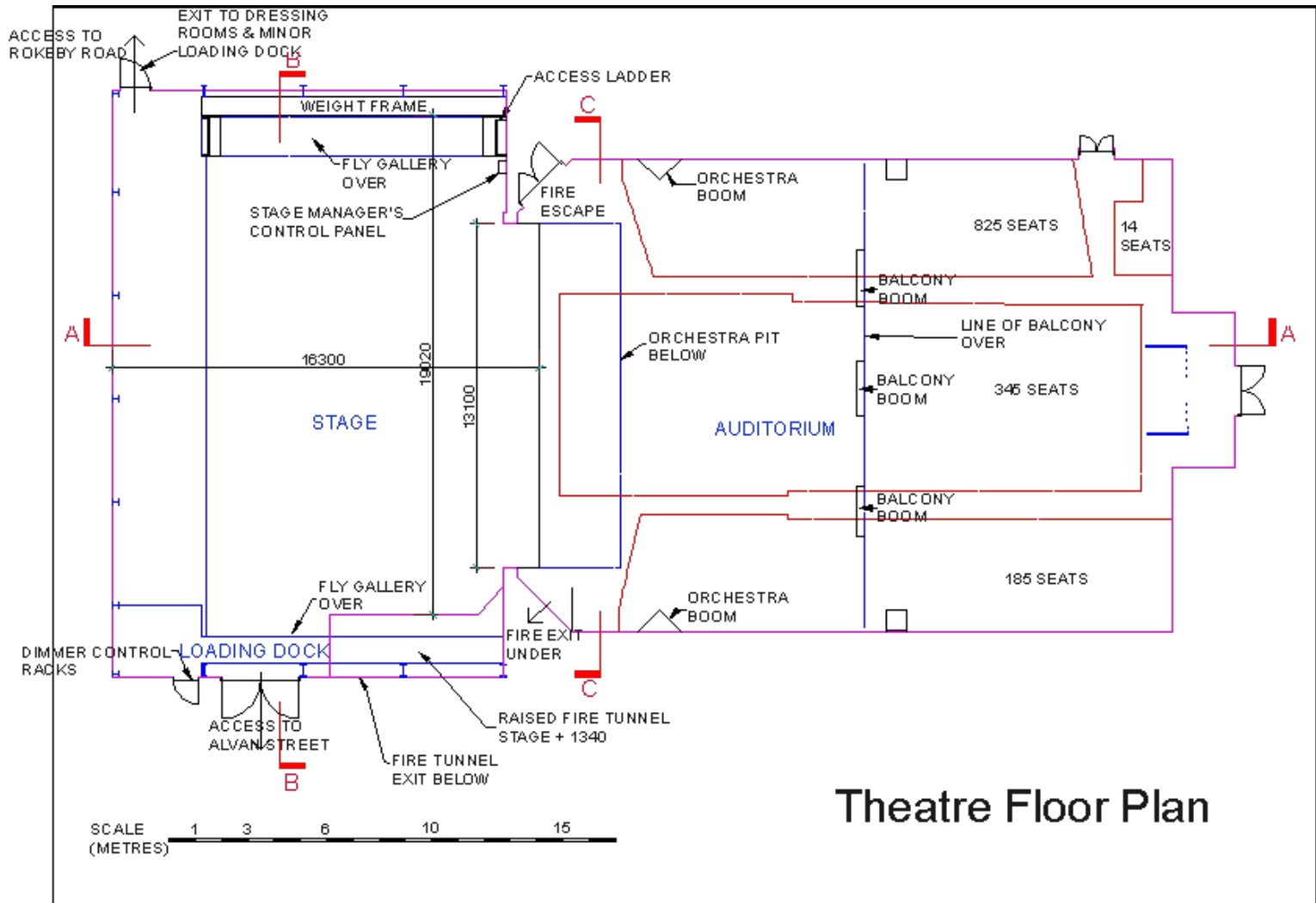
# Theatre Cross-Section

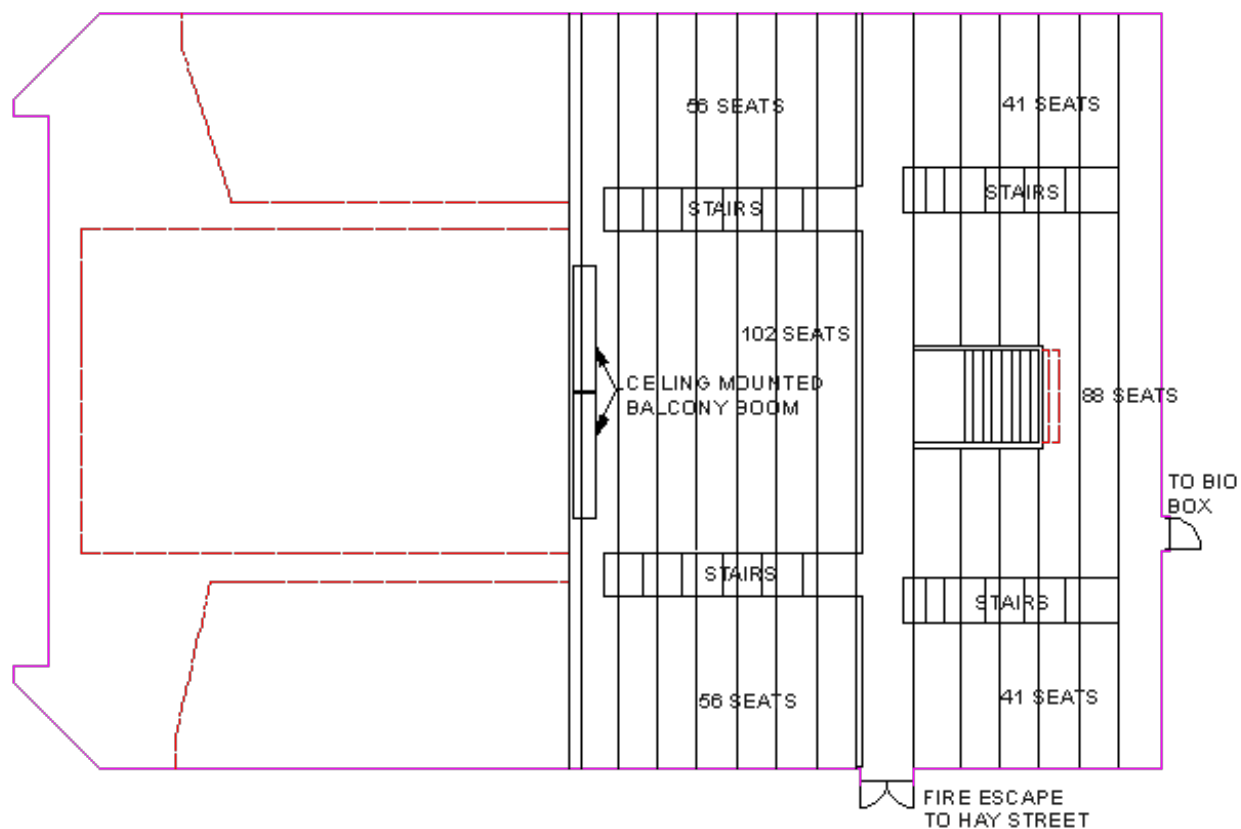




SCALE (METRES) 1 3 6 10 15

## Theatre Auditorium Cross-Section





SCALE (METRES) 1 3 6 10 15

# Theatre Balcony Plan