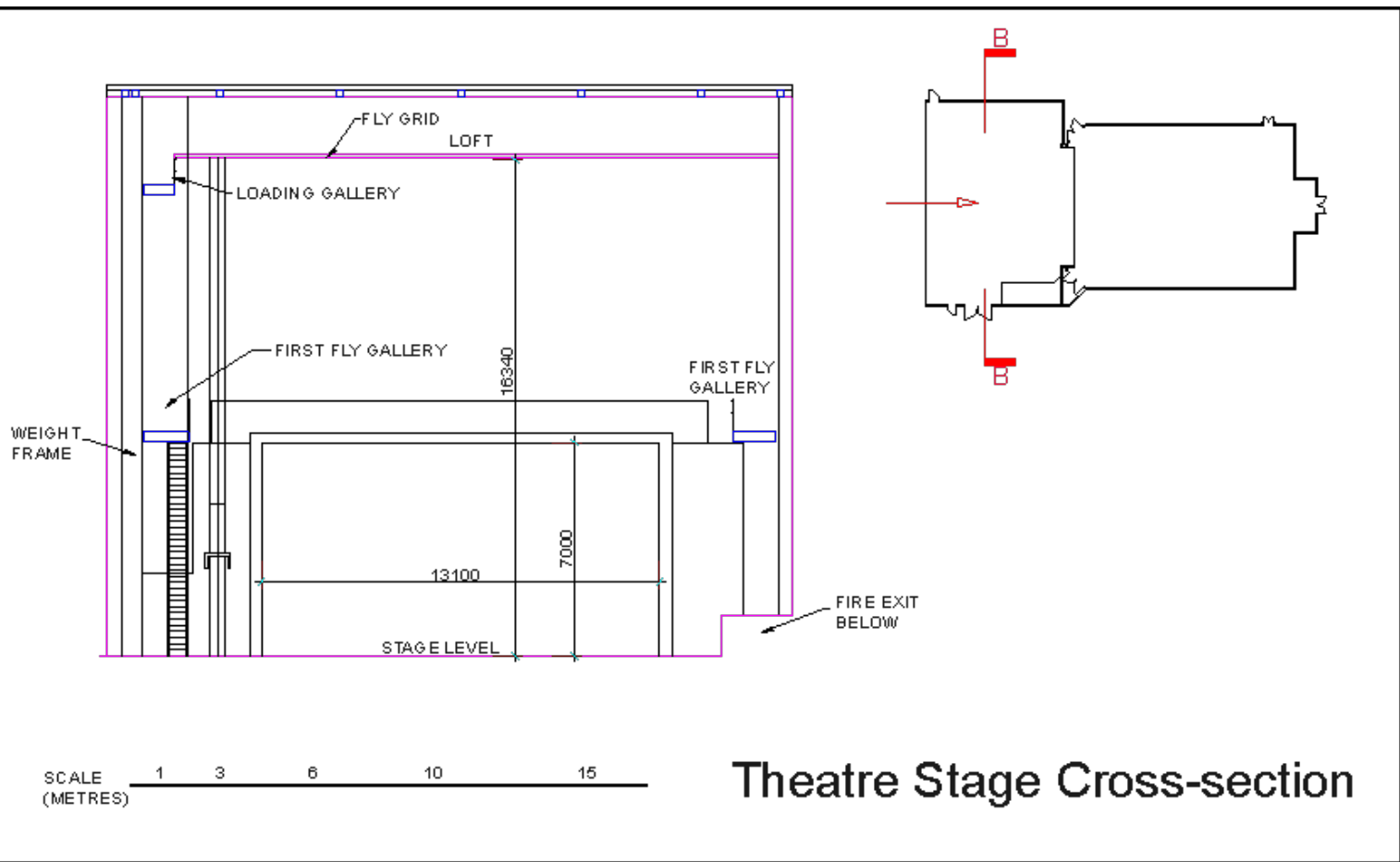
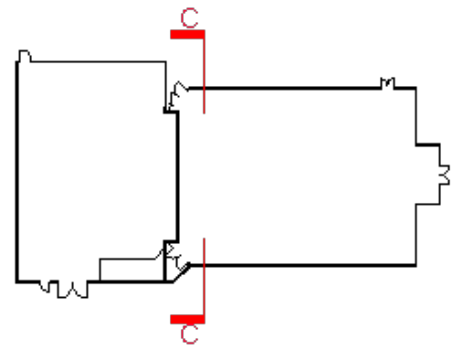
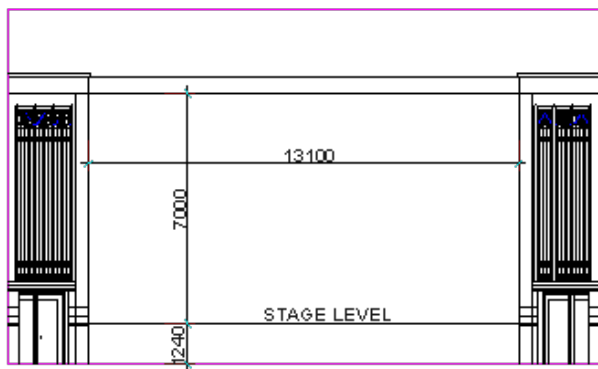


SCALE (METRES) 1 3 6 10 15

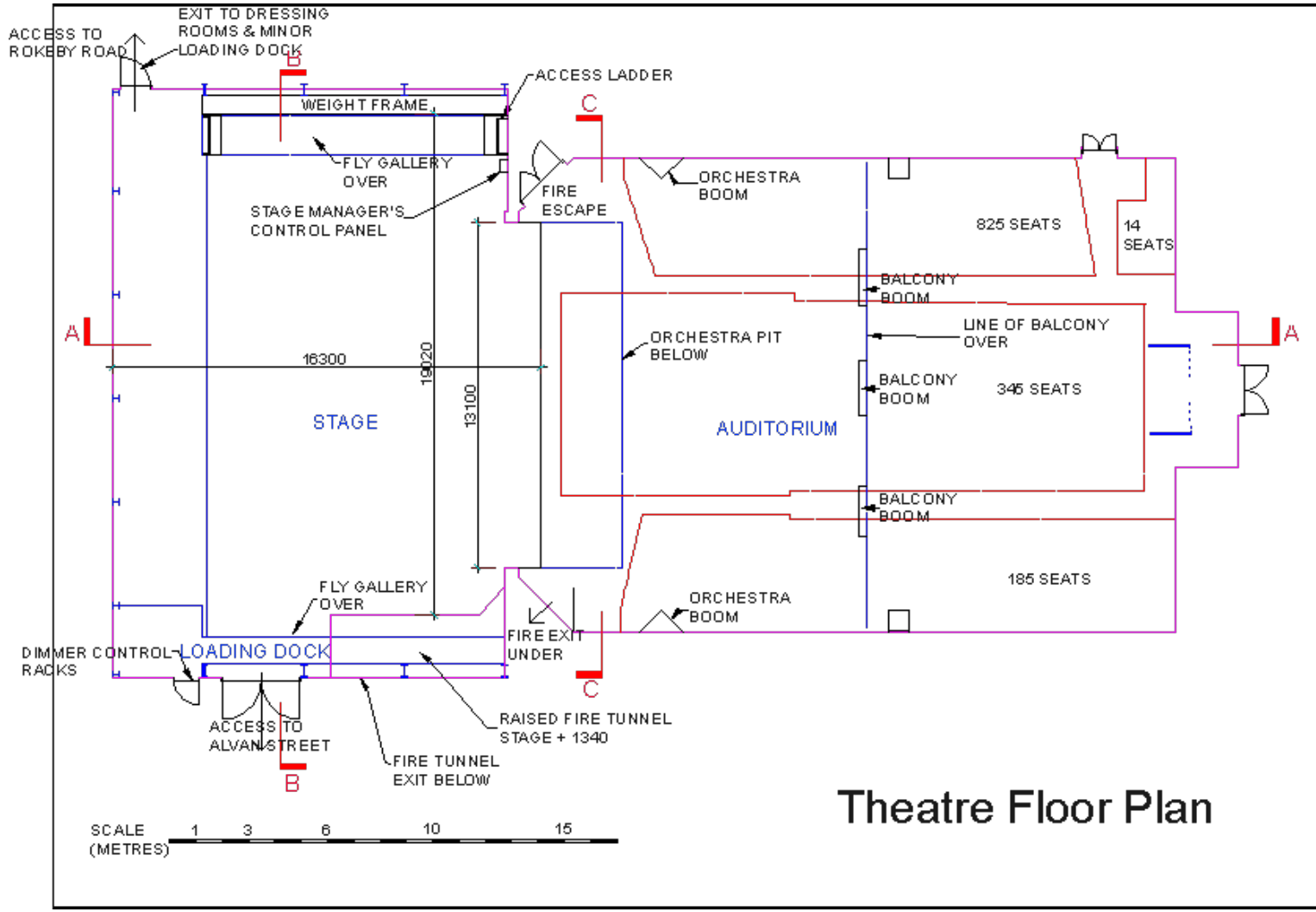
Theatre Cross-Section



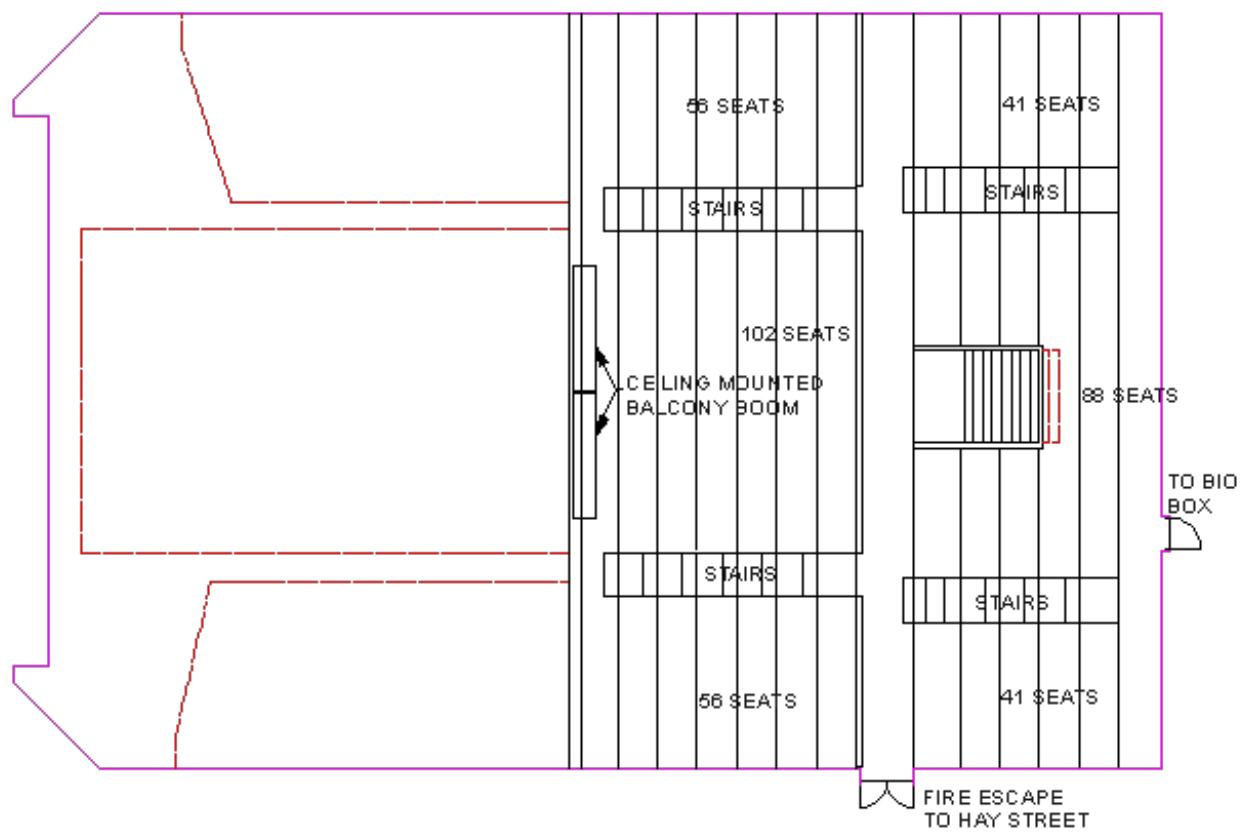


SCALE (METRES) 1 3 6 10 15

## Theatre Auditorium Cross-Section



Theatre Floor Plan



SCALE (METRES) 1 3 6 10 15

# Theatre Balcony Plan