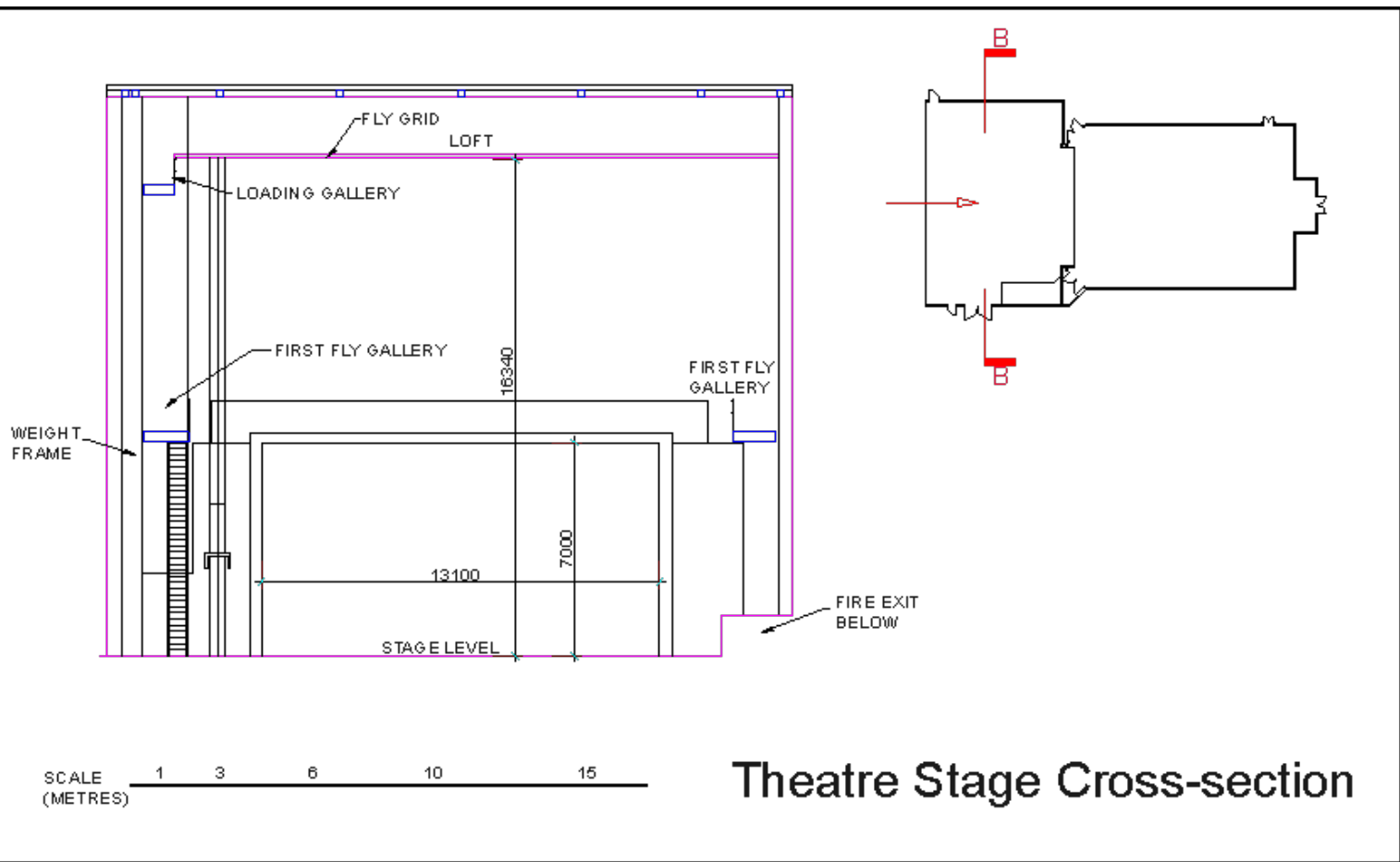
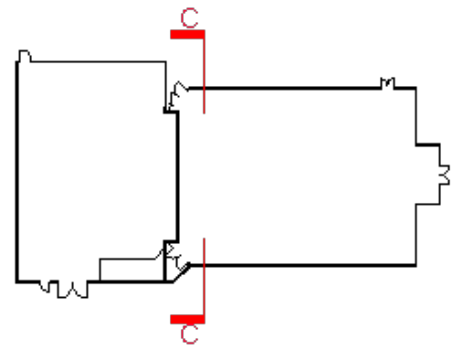
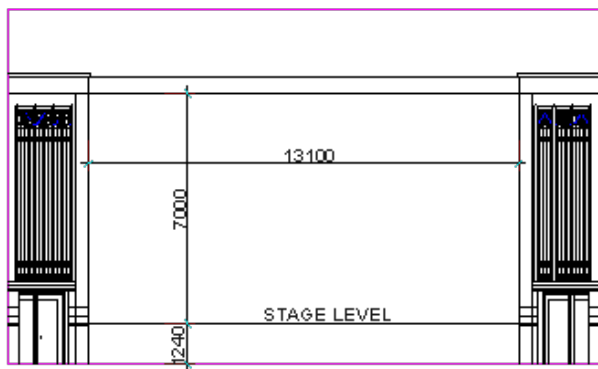


SCALE (METRES) 1 3 6 10 15

Theatre Cross-Section

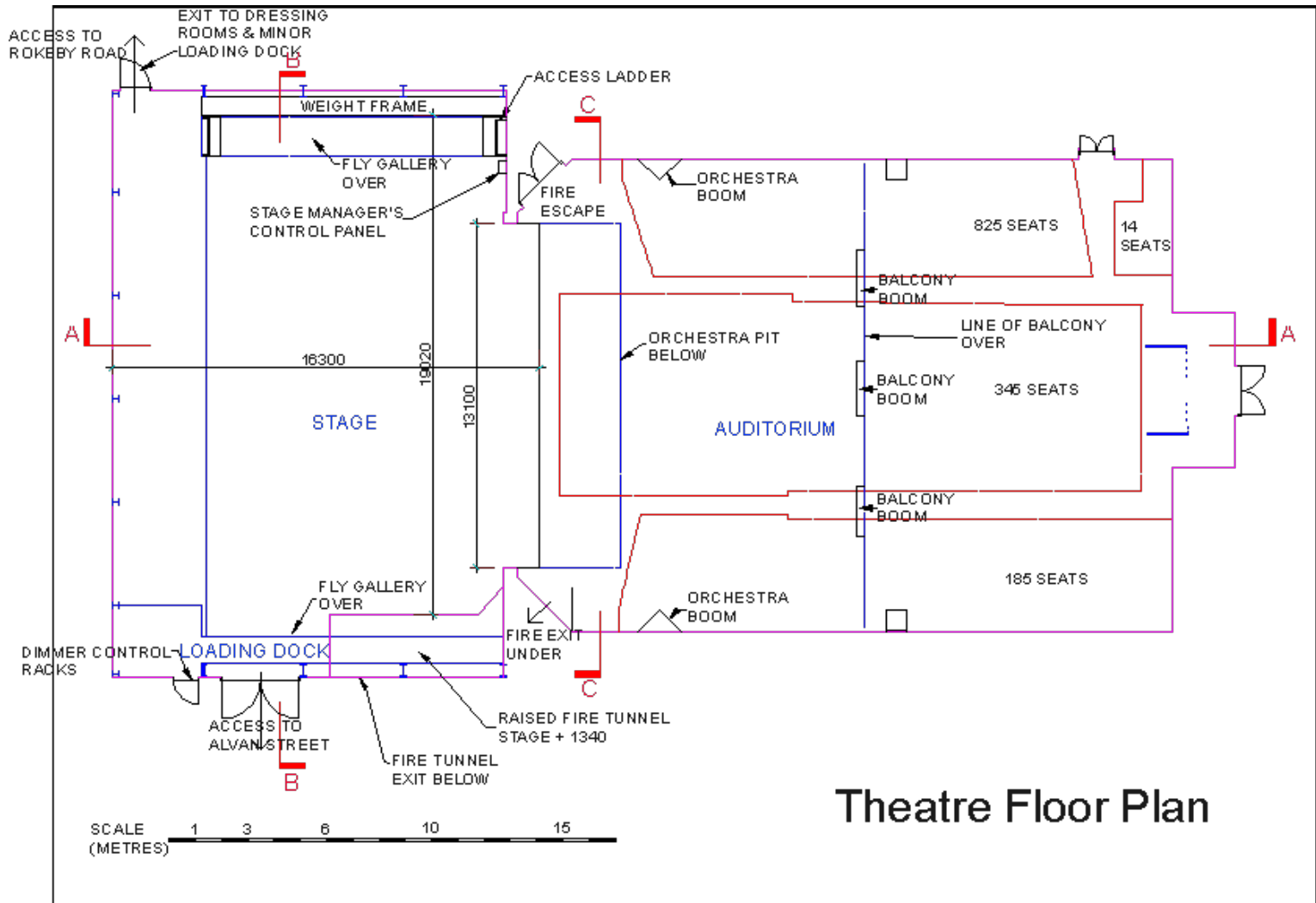


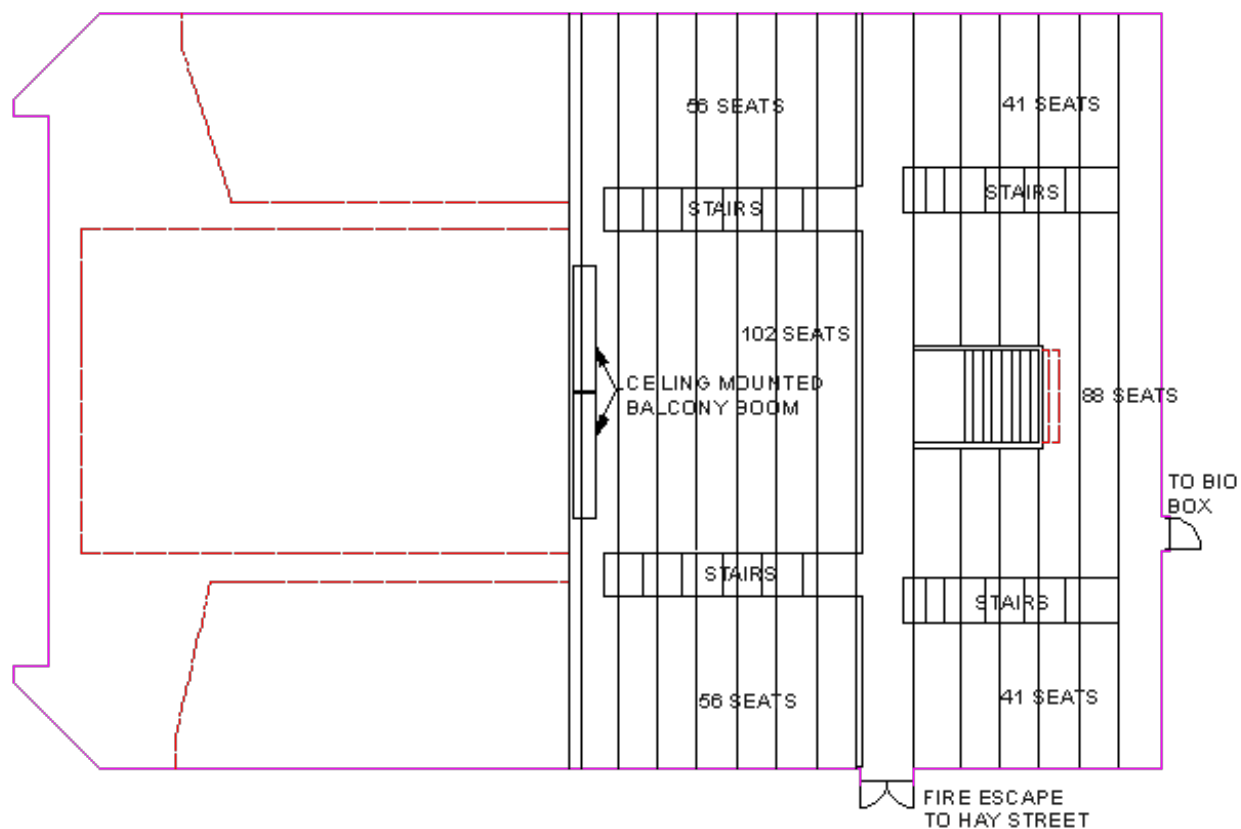
**Theatre Stage Cross-section**



SCALE (METRES) 1 3 6 10 15

## Theatre Auditorium Cross-Section





SCALE (METRES) 1 3 6 10 15

# Theatre Balcony Plan